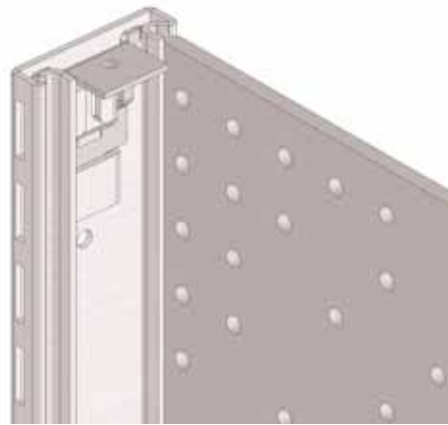
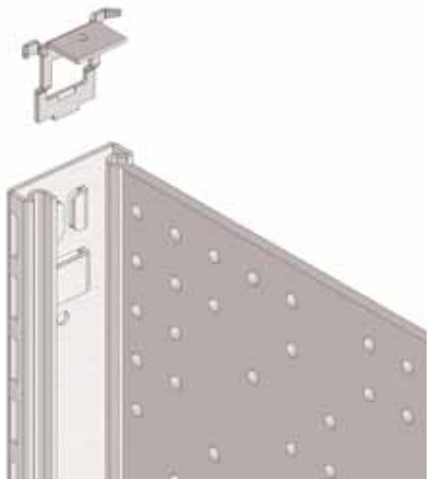
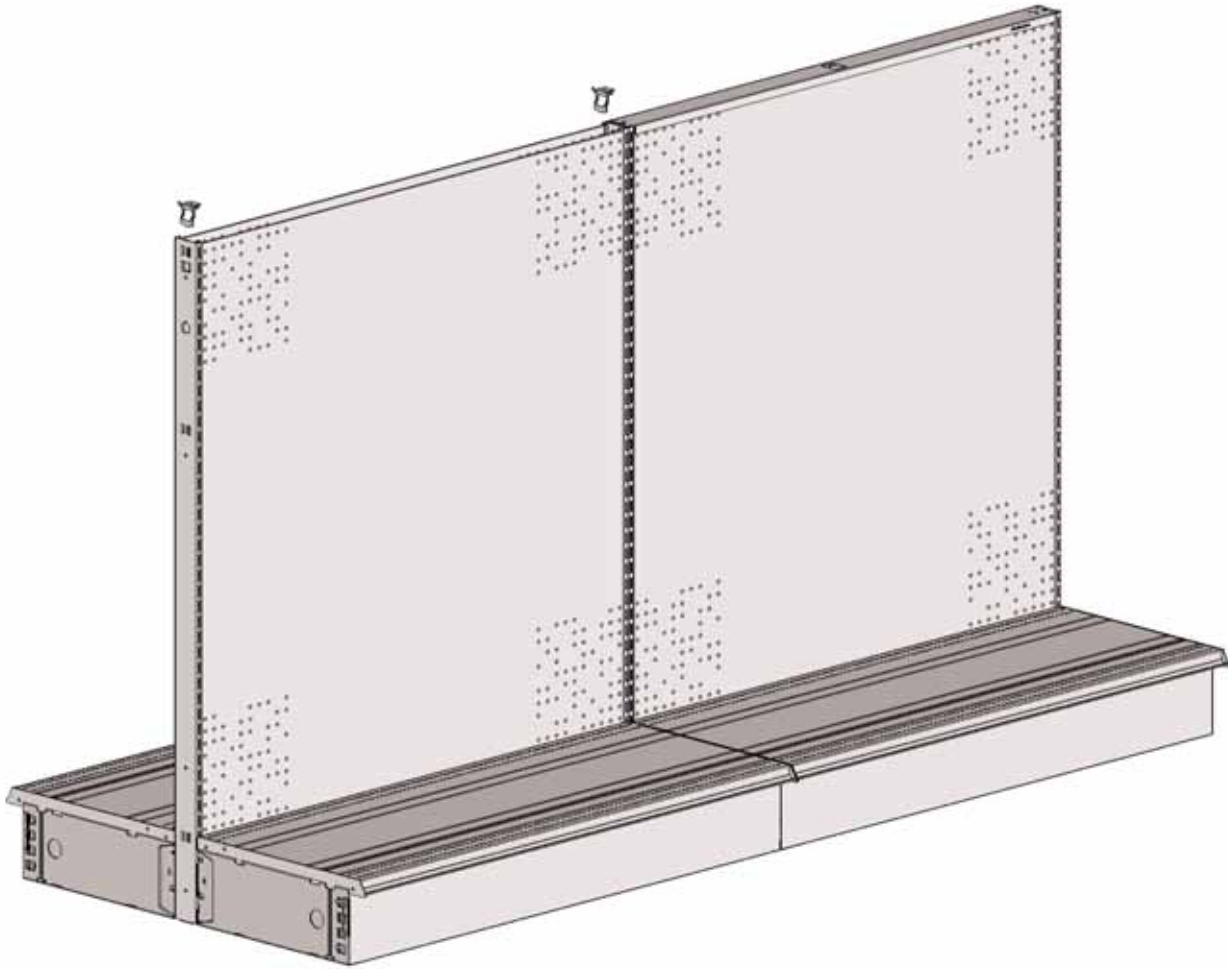


# FEATURE END/CONTOUR END ASSEMBLY INSTRUCTIONS

1

Locking clips are used only in the module located directly behind the feature end and are installed in both the end standard and center standard. Slip the locking clip over the top embossment and seat in second embossment.

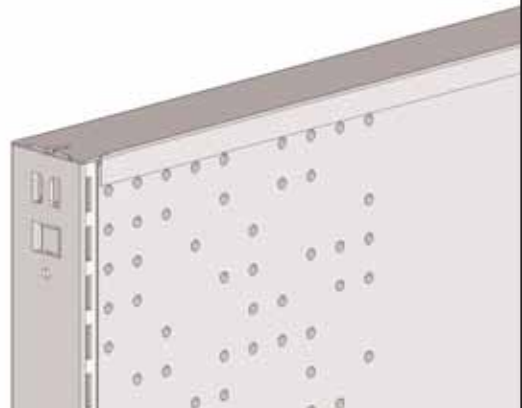
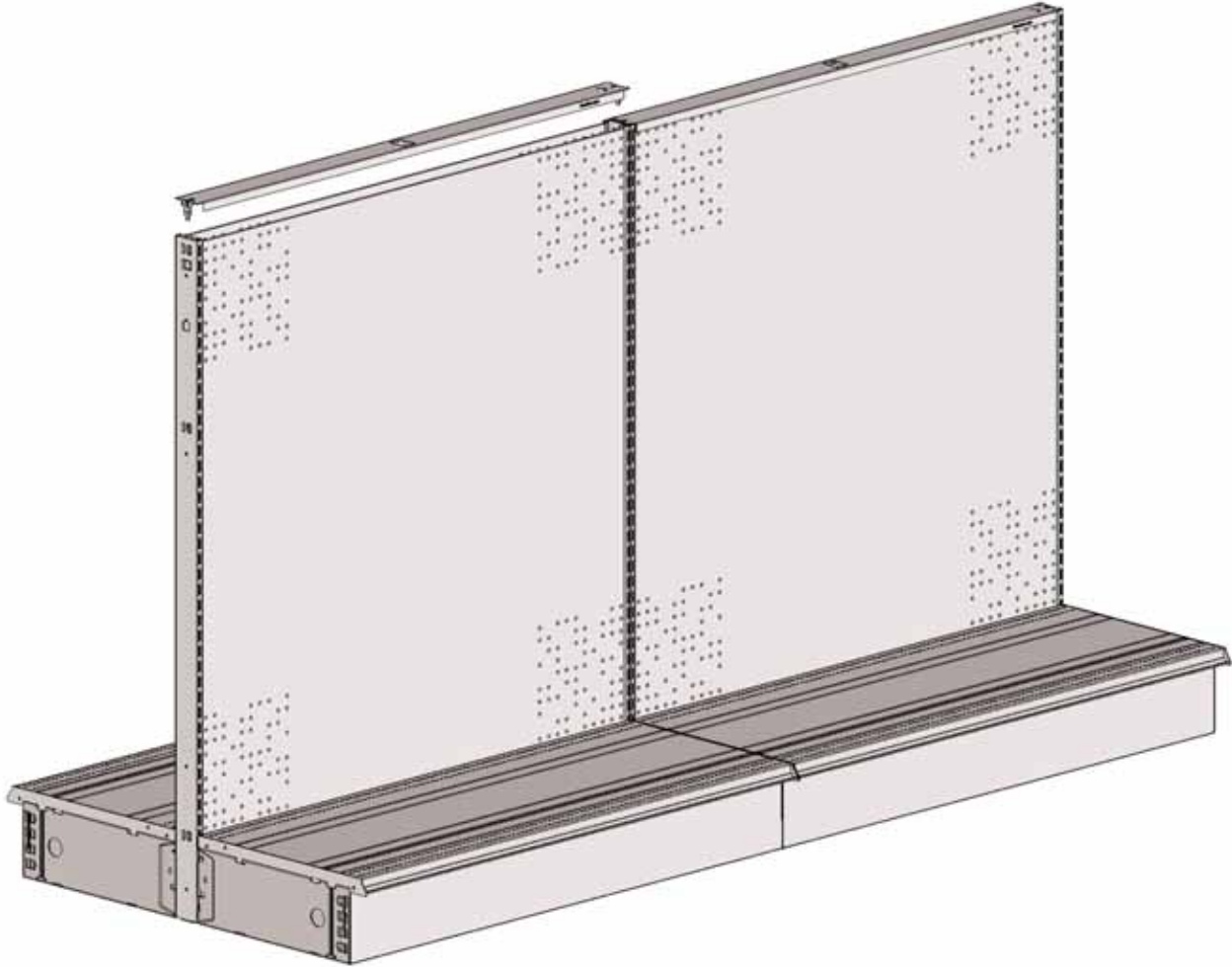


2

FEATURE END/CONTOUR END ASSEMBLY

2

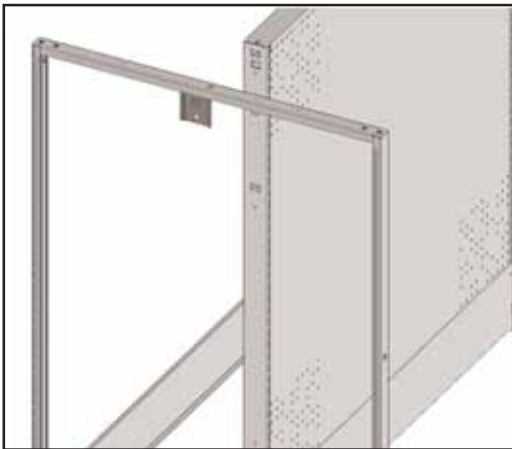
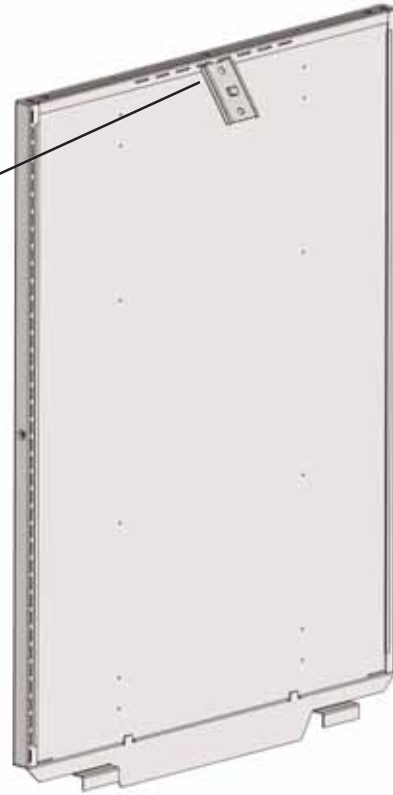
Lower top cap into the gondola using a rubber mallet. Tap both ends of the top cap until it is flush across the top. Secure the top cap furthest from the feature end frame with a #12x5/8" panhead screw.



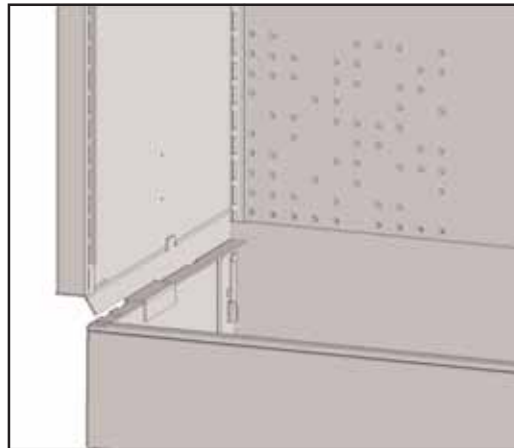
3

FEATURE END/CONTOUR END ASSEMBLY

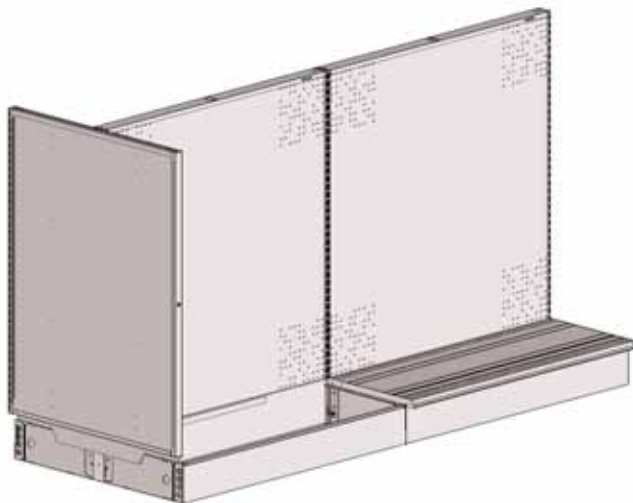
**3** Hook the feature end brace into the two center slots on back of feature end frame (If off center hook into appropriate slots).



BACK PANELS REMOVED FOR VIEW

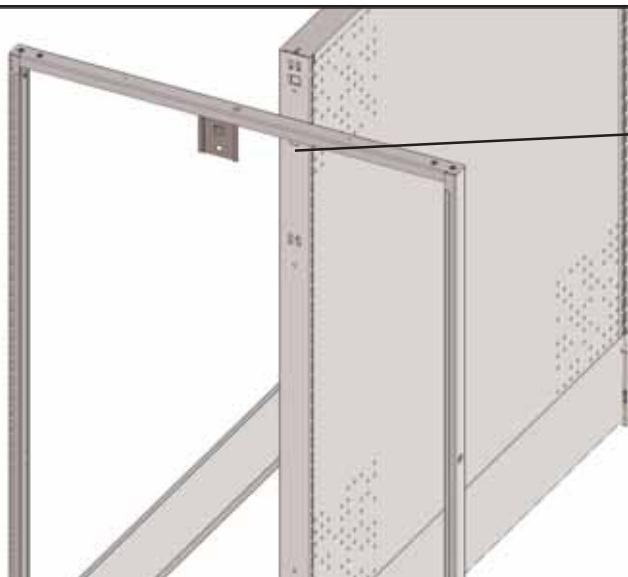


BACKSIDE OF FEATURE END W/DECKS REMOVED



**4** With the feature end brace attached to the feature end, hook the brace in the gondola end standard.

Then, hook the bottom of the feature end over the end bottom arms as pictured above.



5

If the feature end has been ordered 5" shorter than the gondola height, push out the knockout in standard and proceed as instructed below.

5a

With the feature end brace installed into the slots on the feature end hook it into the knockout you pushed out.

5b

With the feature end brace attached to the feature end, hook the brace into the gondola end standard.

Then, hook the bottom of the feature end over the end bottom arms.



6

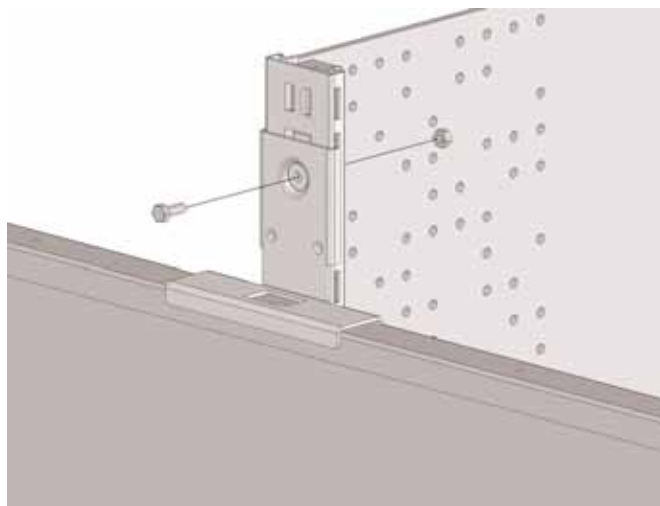
**USED WHEN FEATURE END IS FLUSH WITH GONDOLA!**

To install the t-brace slide it over the gondola and feature end as pictured to the left and secure with 1 #12x5/8" pan head screw.

7

**USED WHEN FEATURE END IS 5" SHORTER THEN GONDOLA!** To install the 90 degree t-brace slide it over the gondola and feature end as pictured to the right and secure with 1 1/4-20x3/4" bolt and hex nut.

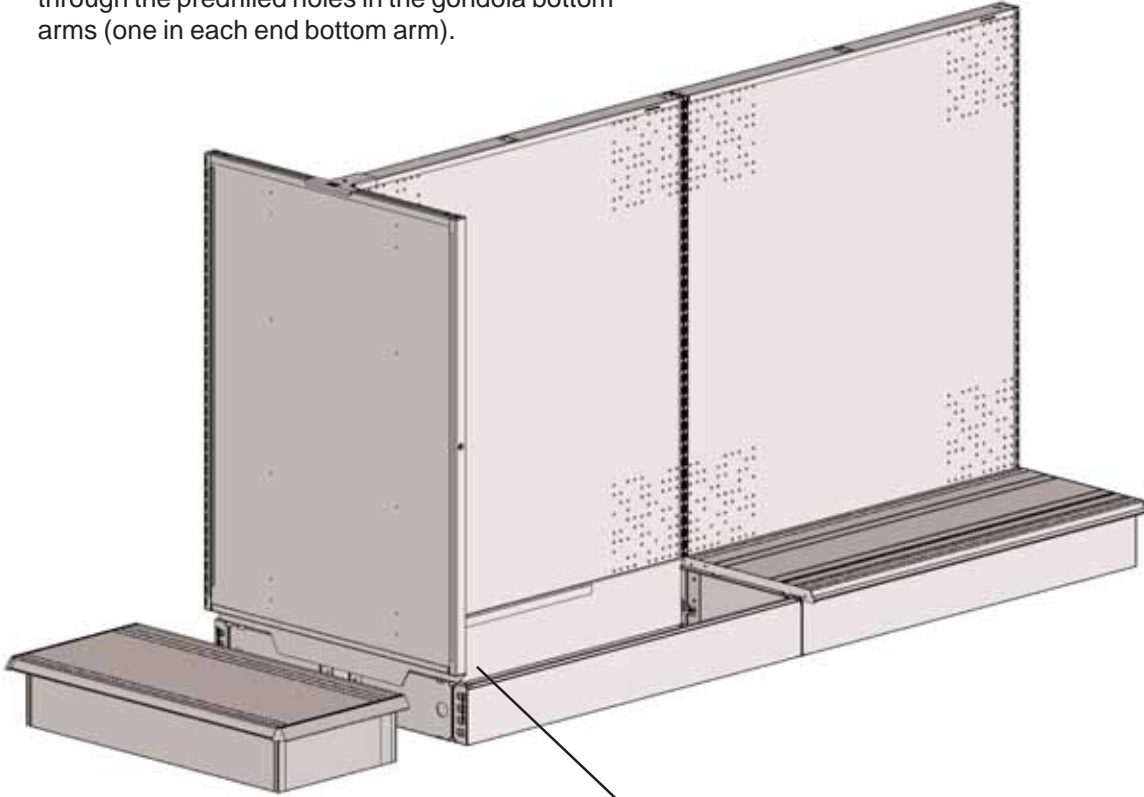
ONE BACK PANEL IS REMOVED IN THE ILLUSTRATION TO THE RIGHT TO PROVIDE VIEW.



8

2 thumb screws are supplied and are to be removed from the inside of the contour end base before assembly to the gondola run.

Place the contour end base against the gondola end bottom arms. Remove the decks from the first module of the gondola run. Then, insert the thumb screws through the predrilled holes in the gondola bottom arms (one in each end bottom arm).

**NOTE:**

The feature end frame must be attached before anchoring the contour end base to the gondola run.

