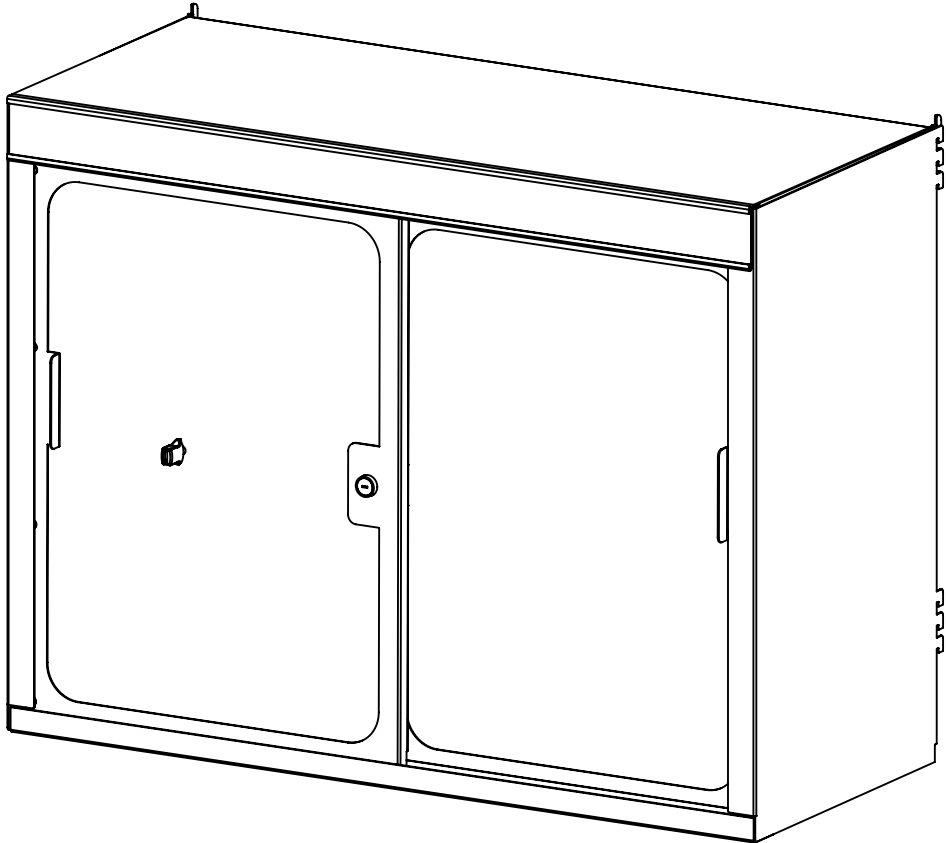


Walmart Part No. **100636611**

Walmart Description

28X36 GLASS CASE F/ENDCAP



Scan QR code or visit www.ladarling.com/glass-cases/ for a digital copy of the instruction sheets.

LA DARLING

REDEFINE. RETHINK. RETAIL SOLUTIONS.

LAD DESCRIPTION
SHOWCASE GLASS 28x36 ENDCAP CENTER LOCK

LAD PART NO.	REV.	BY	DATE
353824IS	1	RP	6/18/18

Customer Service 1-800-682-5730

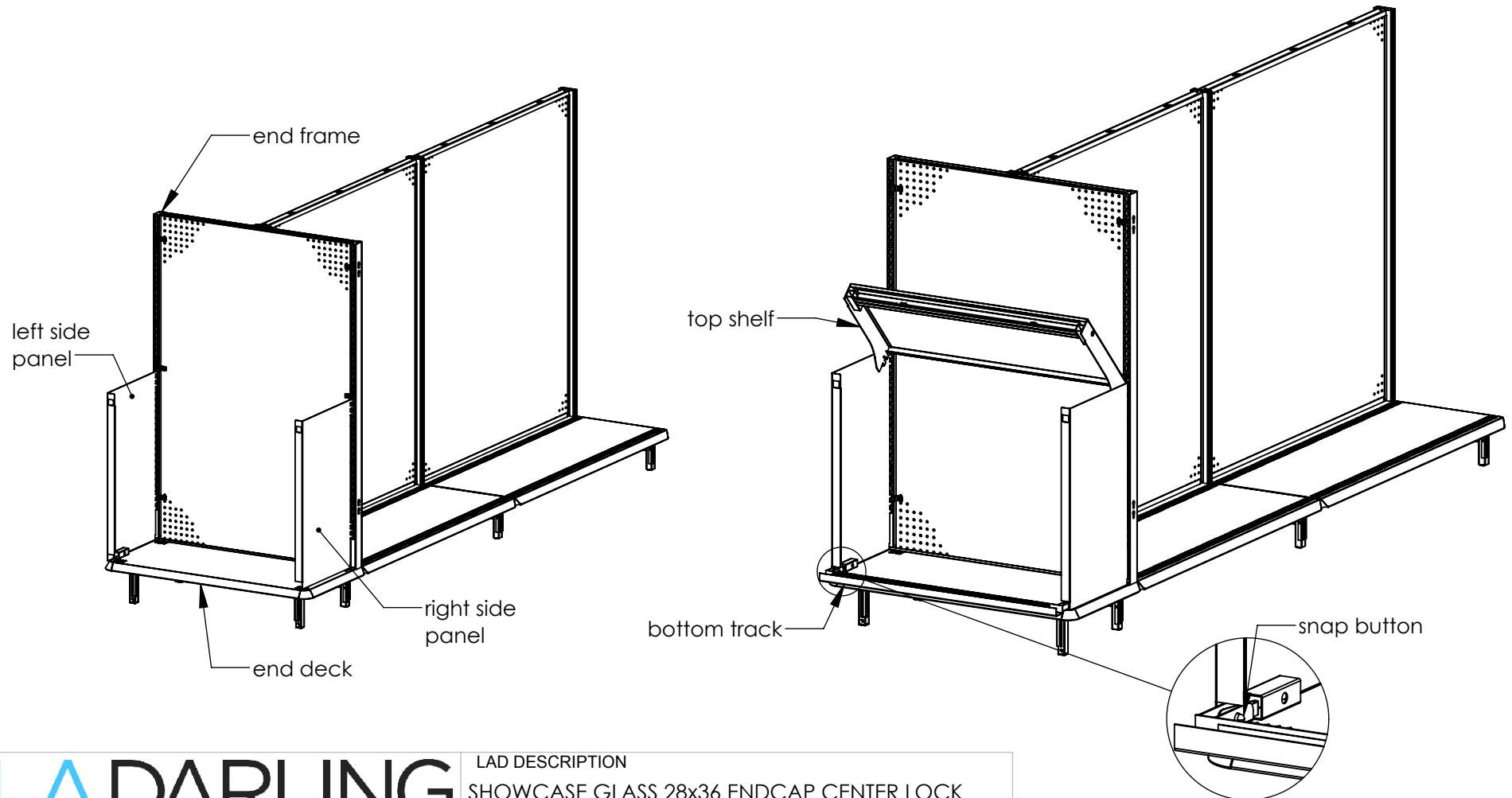
PAGE
1 OF 3

Step 1: Ensure that gondola is straight and level with end deck and end frame installed correctly.

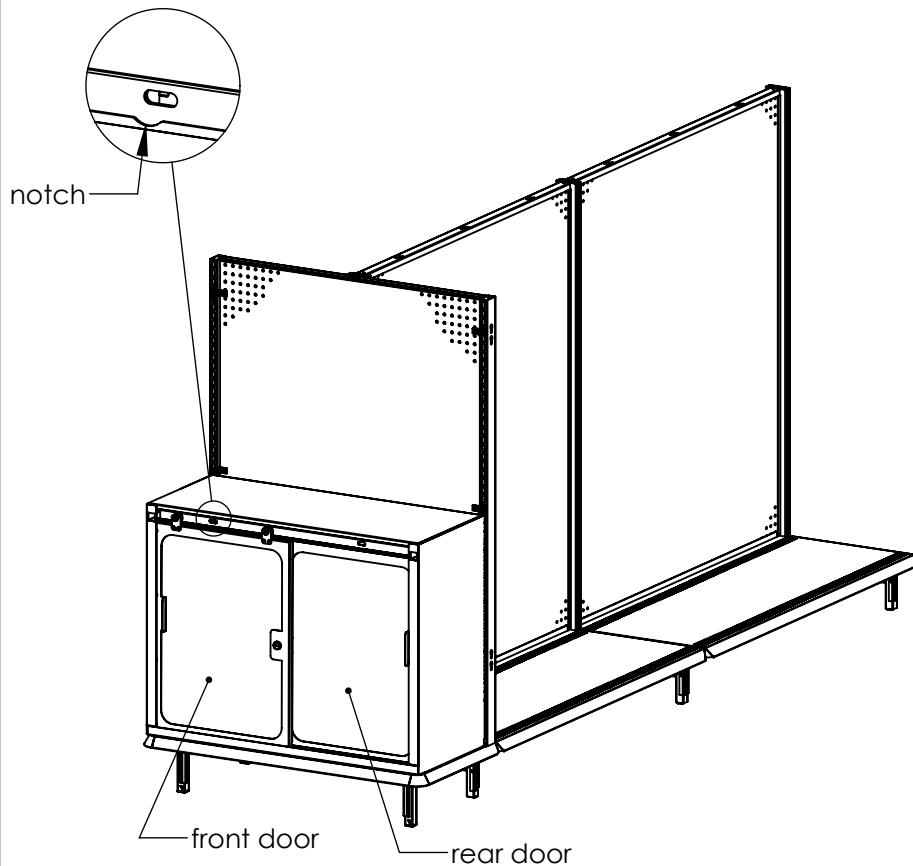
Step 2: Install side panels into end frame slots so that they rest on the deck.

Step 3: Install top shelf level with the top of the side panels.

Step 4: Slide bottom track into channels on side panels until snap buttons lock into place.



Step 5: Lower glass doors into bottom track channels. Lift doors to hook wheels into notches on top track, one wheel at a time.
 Note! Install rear door first, and slide all the way to the right. Front door must be unlocked before installing.



Step 6: Slide sign channel through holes in side panels and into tubes on top shelf until snap buttons lock into place. Note! Sign channel must be installed as shown so that it is flush with top of top shelf.

Step 7: Attach magnetic LED lights to top of case behind door track. Connect light to LED power.

Step 8: Install shelves inside of case.

