

SOUNDBAR WALL INSTALLATION INSTRUCTIONS

BB00008BH - Bagged Hardware Items Include:

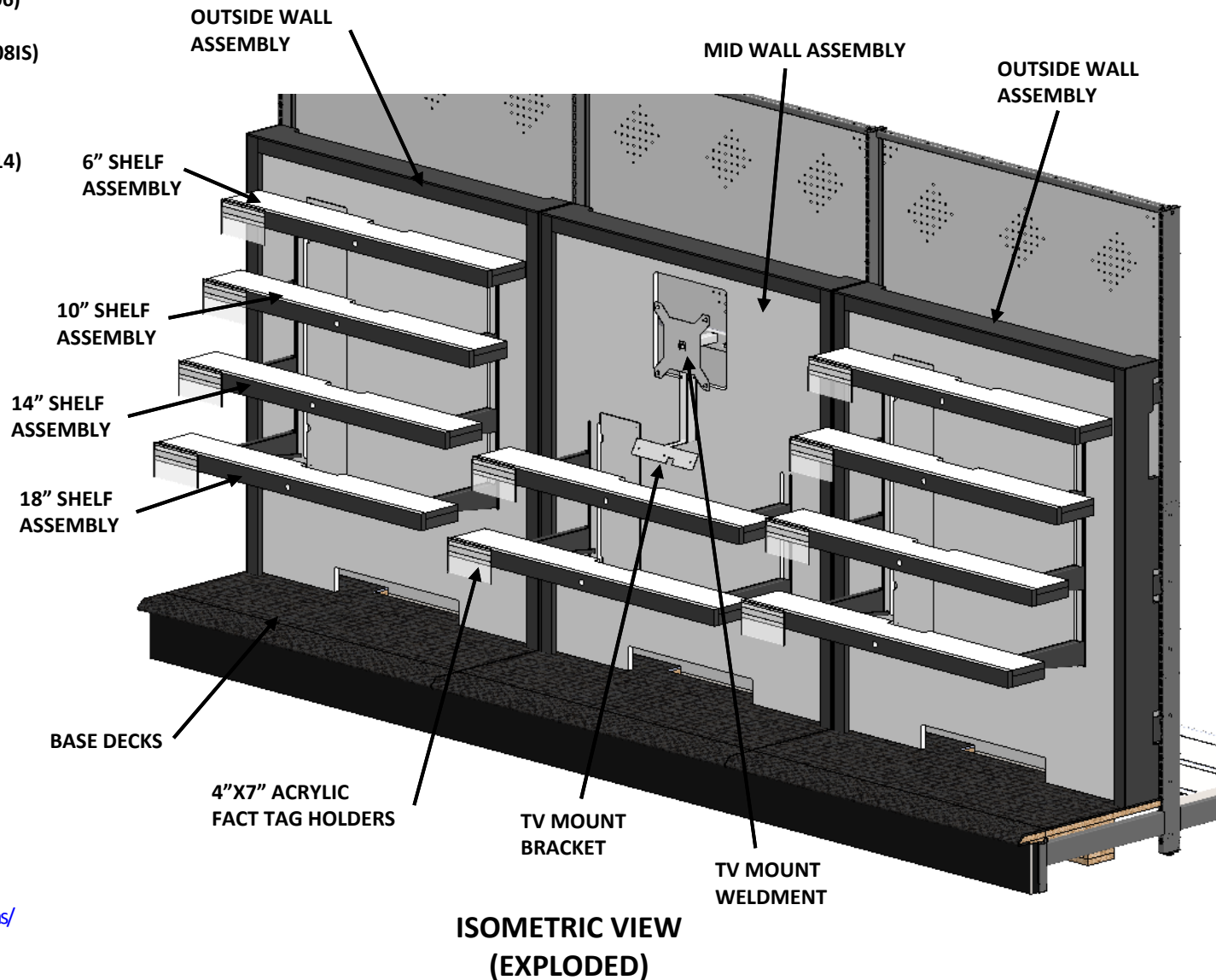
- (42) #8 X 5/8" Pan Head Particle Board Screws
- (2) M6-1.0 X 50mm Pan Head Screw (LAD# 53585401N006)
- (2) M6 Lock Nuts (LAD# 53563301N006)
- (4) M6-1.0 x 12mm Pan Head Screws (LAD# 53585501N006)
- (3) #6-32 x 1/4" Pan Head Screw (LAD# 53585601N006)
- (1) Sound Bar Wall Installation Instructions (LAD# BB00008IS)

Contents:

- 1- Bag Hardware (LAD #BB00008BH)
- 3- Base Decks (3-High Bay BB00013 OR 3-Low Bay BB00014)
- 3- Wall Assemblies ((2) Outside walls LAD# BB00010, (and 1 Mid wall LAD# BB00011)
- 3- 12pos Plug-In Strips (ELC00084)
- 3- 18" Shelves (LAD# BB00020)
- 3- 14" Shelves (LAD# BB00019)
- 2- 10" Shelves (LAD# BB00018)
- 2- 6" Shelves (LAD #BB00017)
- 10- 4"x7" Acrylic Fact Tag Holders (LAD# PLA00169)
- 1- TV Mount Bracket (LAD# 53576501C062)
- 1- TV Mount Weldment (LAD #53576401C062)
- 3- LH Wall Brackets (LAD# 53578301C062)
- 3- RH Wall Brackets (LAD# 53578401C062)



Visit <http://www.ladaring.com/resources/soundbar-installation-instructions/> for a PDF copy of the instruction sheets.

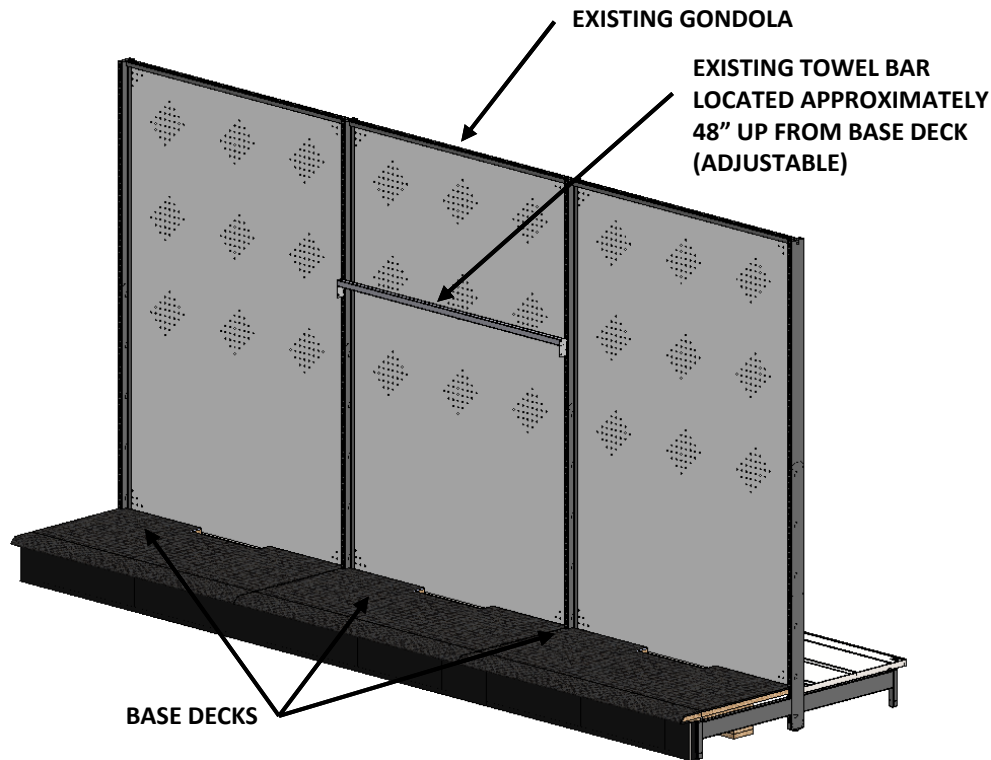


**ISOMETRIC VIEW
(EXPLODED)**

SOUNDBAR WALL INSTALLATION INSTRUCTIONS

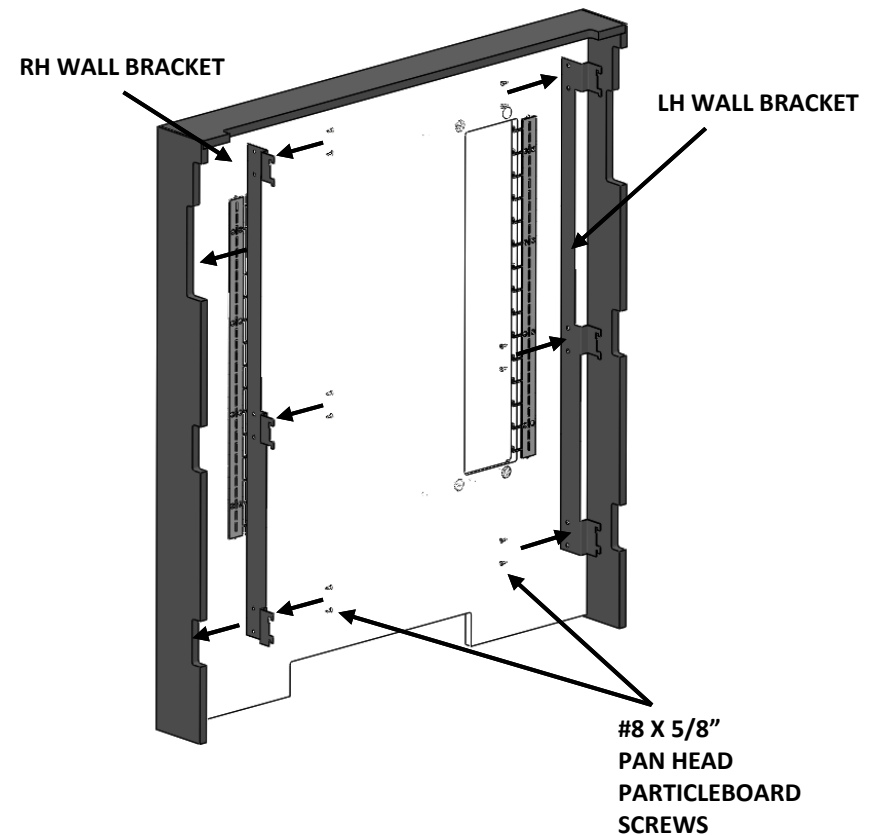
STEP #1

SET INTO PLACE ALL 3 BASE DECKS CENTERING ON 4FT GONDOLA SECTIONS. ENSURE EXISTING TOWEL BAR IS LOCATED APPROX. 48" OFF OF TOP OF BASE DECK.



STEP #2

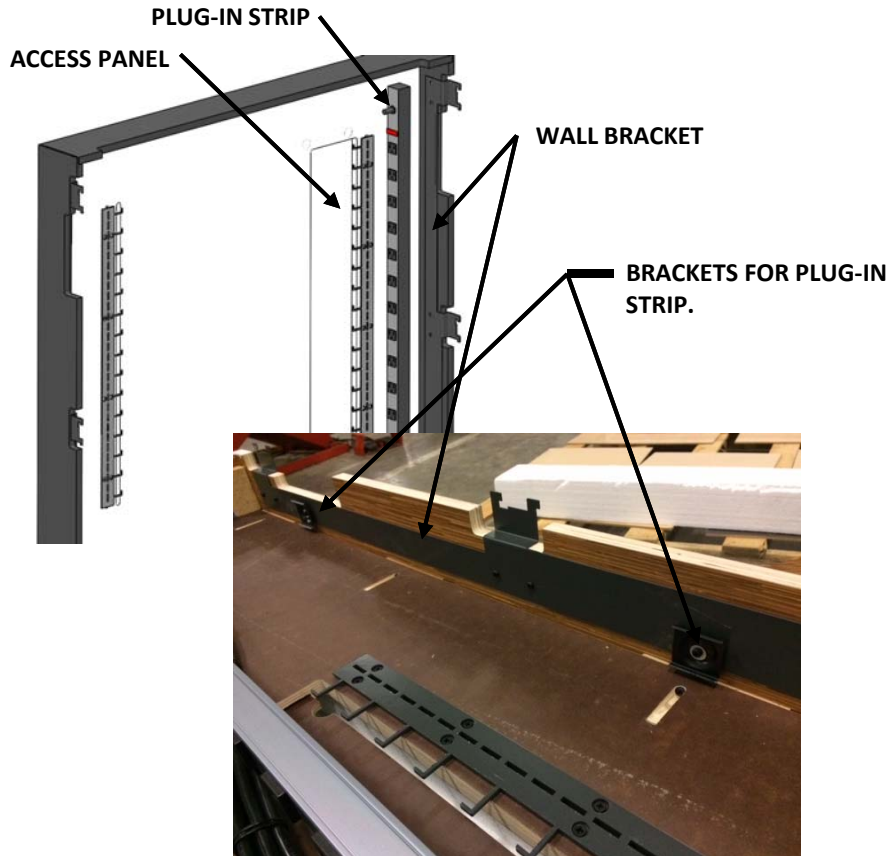
SECURE EACH THE LH AND RH WALL BRACKETS USING (6) #8 X 5/8" PAN HEAD PARTICLEBOARD SCREWS EACH PROVIDED IN BAGGED HARDWARE.



SOUNDBAR WALL INSTALLATION INSTRUCTIONS

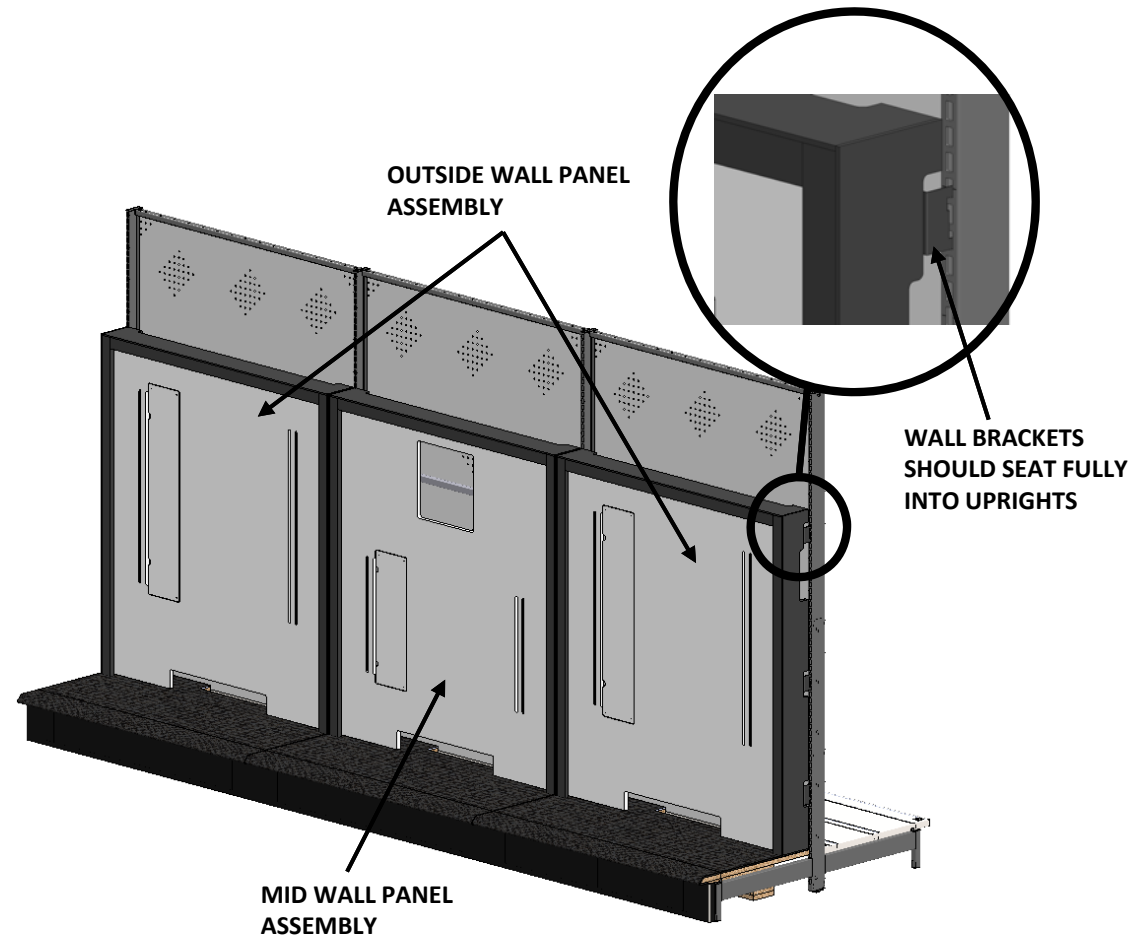
STEP #3

ATTACH 2 CLIPS TO ACCESS PANEL SIDE OF WALL ASSEMBLY AS SHOWN BELOW THRU HOLES PREDRILLED IN WALL BRACKETS USING (1) #8 X 5/8" PAN HEAD PARTICLEBOARD SCREW IN EACH CLIP. CLIPS SHOULD SET VERTICALLY AS SHOWN. SNAP INTO PLACE PLUG-IN STRIP. (NOTE: PLUG IN STRIP SHOULD FACE ACCESS PANEL.)



STEP #4

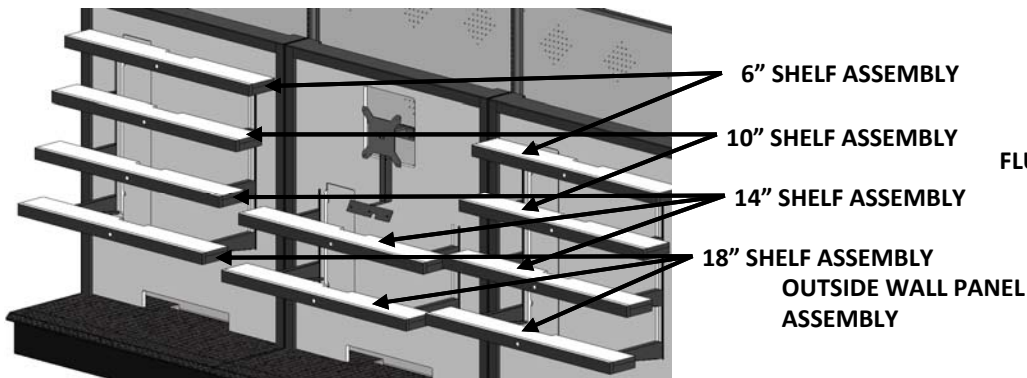
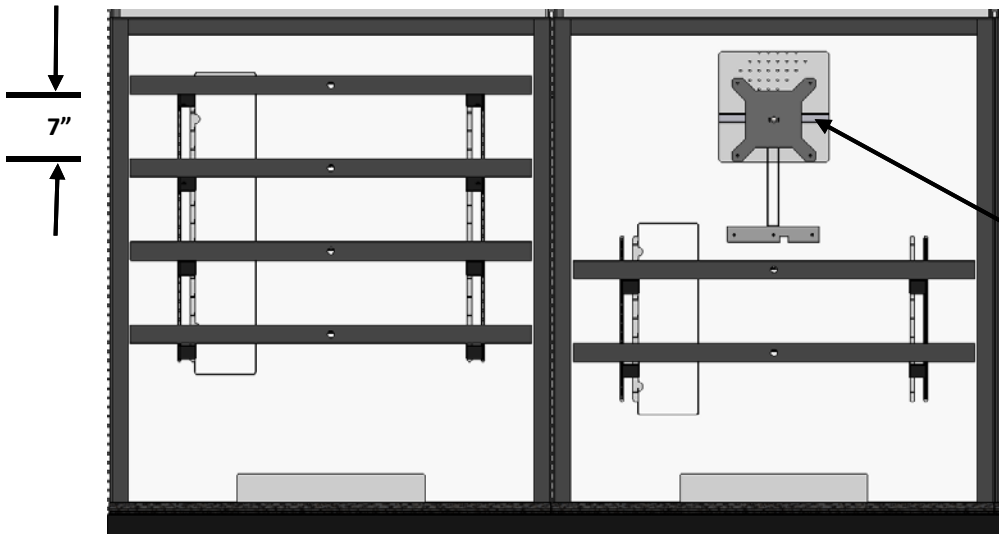
HANG WALL PANEL ASSEMBLIES ONTO GONDOLA STARTING WITH MID WALL PANEL ASSEMBLY CENTERED IN THE MIDDLE OF SLOTS ON UPRIGHTS AND THEN HANG EACH OUTSIDE WALL PANEL ADJACENT. NOTE: WALL ASSEMBLIES SHOULD BE AS CLOSE TO BASE DECKS AS UPRIGHT ALLOWS. DO NOT LEAVE A GAP BETWEEN WALL ASSEMBLY AND DECK BUT ALSO ENSURE BRACKETS COMPLETE SEAT INTO SLOTS OF UPRIGHT. IF NOT COMPLETED SEATED, MOVE WALL PANEL UP 1 SET OF SLOTS.



SOUNDBAR WALL INSTALLATION INSTRUCTIONS

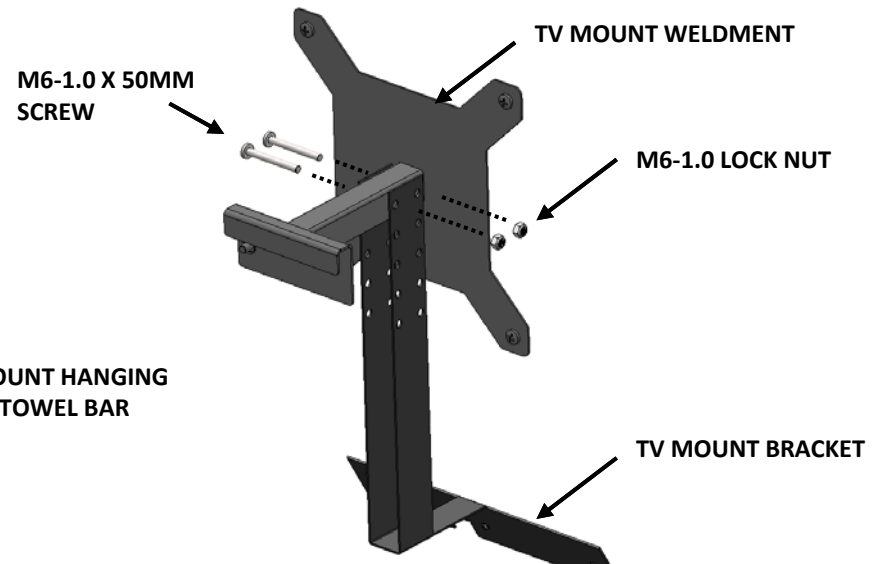
STEP #5

LOCATE SHELVES IN PATTERN AS SHOWN BELOW. START WITH LARGEST SHELF FIRST (18") AND WORK YOUR WAY UP EACH WALL ATTACHING SHELVES. IDEAL POSITION BETWEEN SHELVES IS 7" BUT SHELVES ARE ADJUSTABLE TO WHATEVER HEIGHT IS DESIRED. !!!CRITICAL!!! MAKE SURE THAT EAR OF BRACKET ON SHELVES ARE FULLY ENGAGED INTO STANDARD ON WALL AND SHELF FULLY SEATS INTO POSITION.



STEP #6

ATTACH TV MOUNT BRACKET TO TV MOUNT WELMENT USING (2) M6-1.0 X 50MM SCREWS AND (2) M6 LOCK NUTS. HANG OVER TOWEL BAR IN MIDDLE WALL AS SHOWN AT LEFT



STEP #7

PEEL TAPE FROM BACK OF FACT TAG HOLDER AND ADHERE TO LEFT EDGE OF EACH SHELF FLUSH WITH OUTSIDE EDGE AND WITH TOP EDGE

