

WAL-MART TOBACCO STORAGE CASE ASSEMBLY INSTRUCTIONS



54" TALL TOBACCO STORAGE CASE
LAD# 35400900C215
SAP# 100655273

85" TALL TOBACCO STORAGE CASE
LAD# 35406900C215
SAP# 100655274



Visit www.ladarling.com/resources or scan the QR code above for the latest assembly instructions.

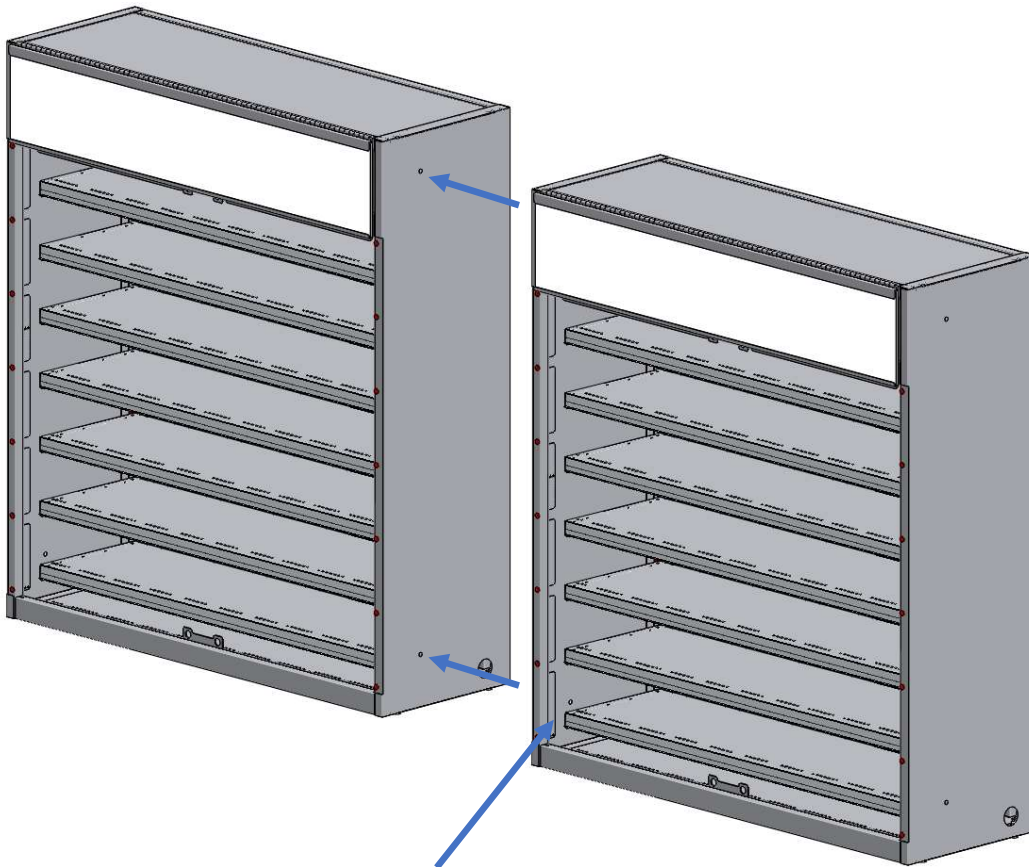
WARNING !

IMPORTANT SAFETY INSTRUCTIONS

YOUR PERSONAL SAFETY IS AT RISK !

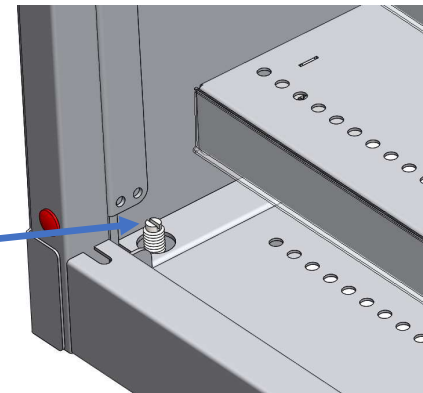


While lifting or moving any heavy object for your safety always use the Team Lift Approach to minimize the risk of injury.



Set cabinets per store plans and secure together using (2ea for 54" tall case or 3EA for 85" tall case) 5/16-18 X 1/2" bolts and nuts provided through holes in side panels.

Adjust levelers inside bottom of cabinets to ensure level

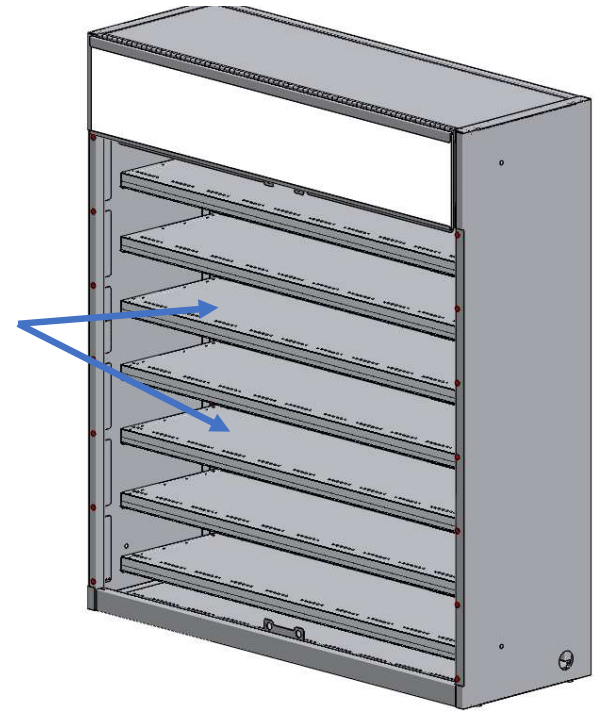




PEEL PROTECTIVE LAYER FROM LIGHT PANEL AND APPLY GRAPHICS. WITH GRAPHIC RESTING IN LOWER CHANNEL, PLACE A SMALL PIECE OF CLEAR TAPE AT EACH END TO SECURE.

ADJUST ALL SHELVES AS REQUIRED PER MOD.

INSTALL PUSHERS ONTO SHELVES USING PROVIDED INSTRUCTIONS.



******WARNING******
DO NO PLUG IN A SERIES OF MORE THAN 4 POWER SUPPLIES OR ADD ANY ADDITIONAL ELECTRICAL ITEMS. THIS WILL OVERLOAD THE POWER SUPPLIES POSSIBLY CAUSING OVERHEATING OR FIRE AND WILL VOID ALL WARRANTY.

FEED BOTH PLUG INS ON POWER SUPPLY THROUGH OPPOSITE ENDS TO SECURE TO ADJACENT CASE.

POWER SUPPLY

