

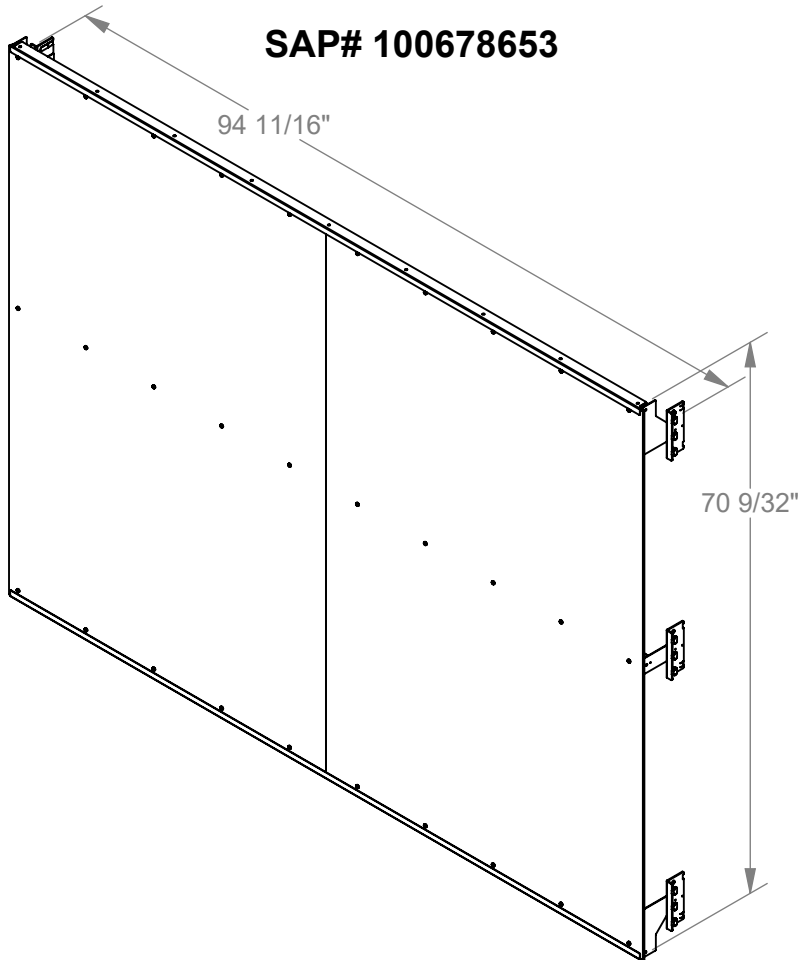
Walmart Part No.

100678653
100678655

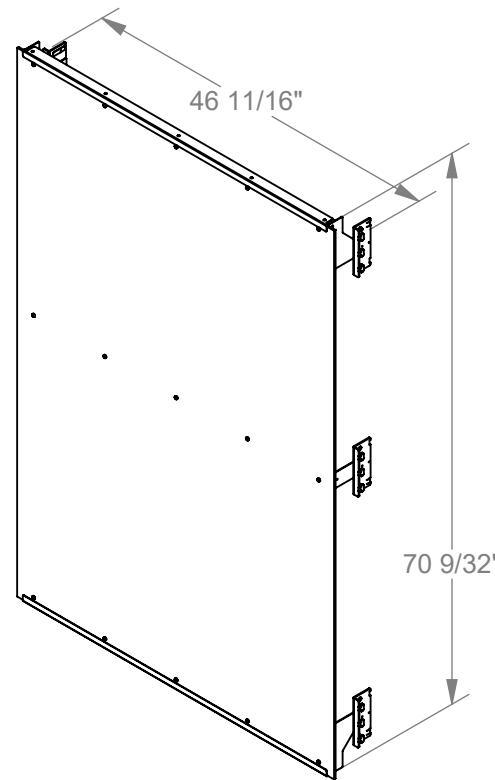
Walmart Description

PALLET RACK REAR BARRIER 9670
PALLET RACK REAR BARRIER 4870

SAP# 100678653



SAP# 100678655



Scan the QR code or visit www.ladarling.com/pallet-rack-barrier/ for the latest copy of the instruction sheets.

LADARLING

REDEFINE. RETHINK. RETAIL SOLUTIONS.

LAD DESCRIPTION

PALLET RACK REAR BARRIER

LAD PART NO.

301305IS

REV.

2

BY

RP

DATE

4/4/22

Customer Service 1-800-682-5730

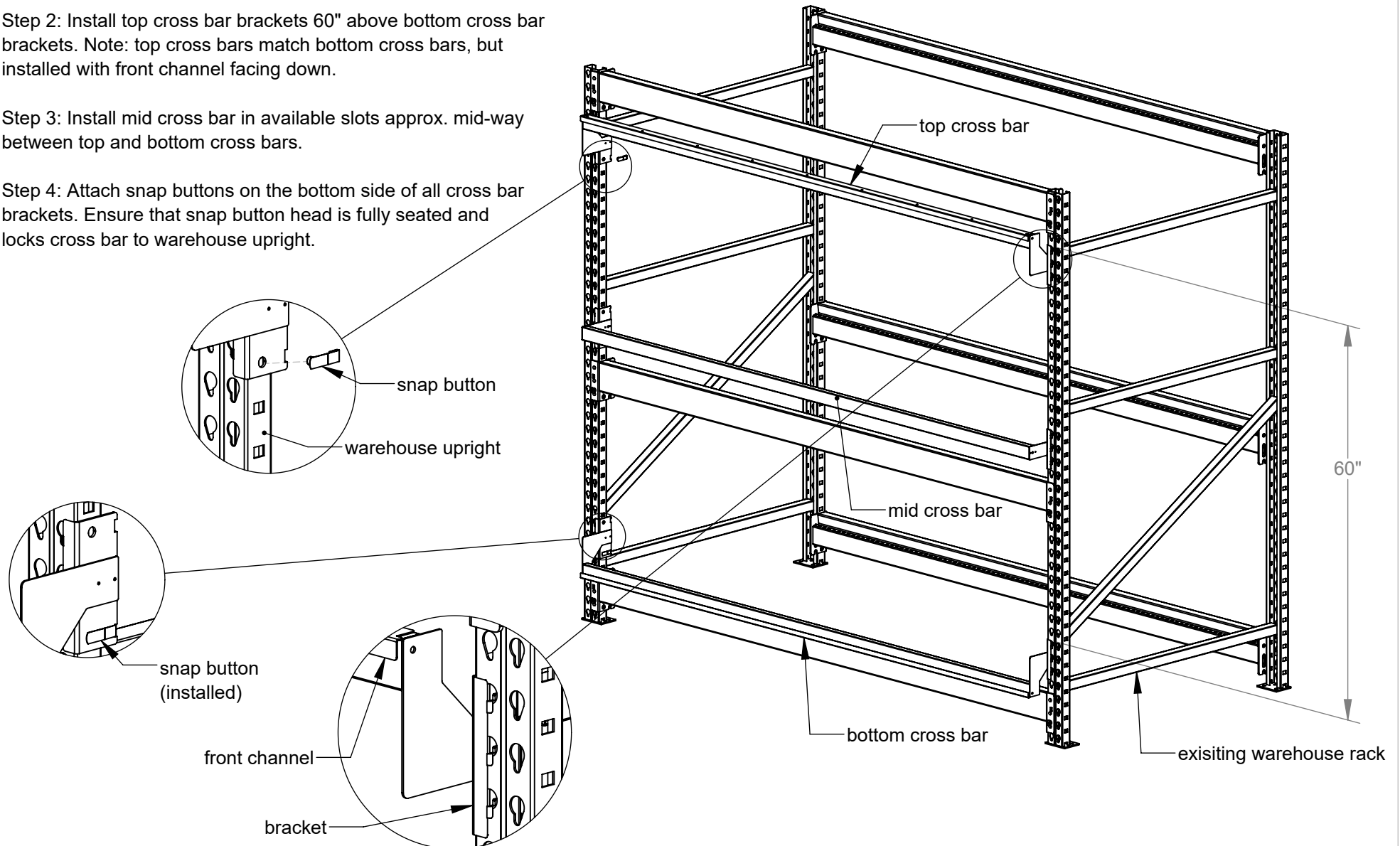
PAGE
1 OF 4

Step 1: Install bottom cross bar where desired by hooking brackets into teardrop slots on warehouse uprights. Ensure that hooks are seated in slots.

Step 2: Install top cross bar brackets 60" above bottom cross bar brackets. Note: top cross bars match bottom cross bars, but installed with front channel facing down.

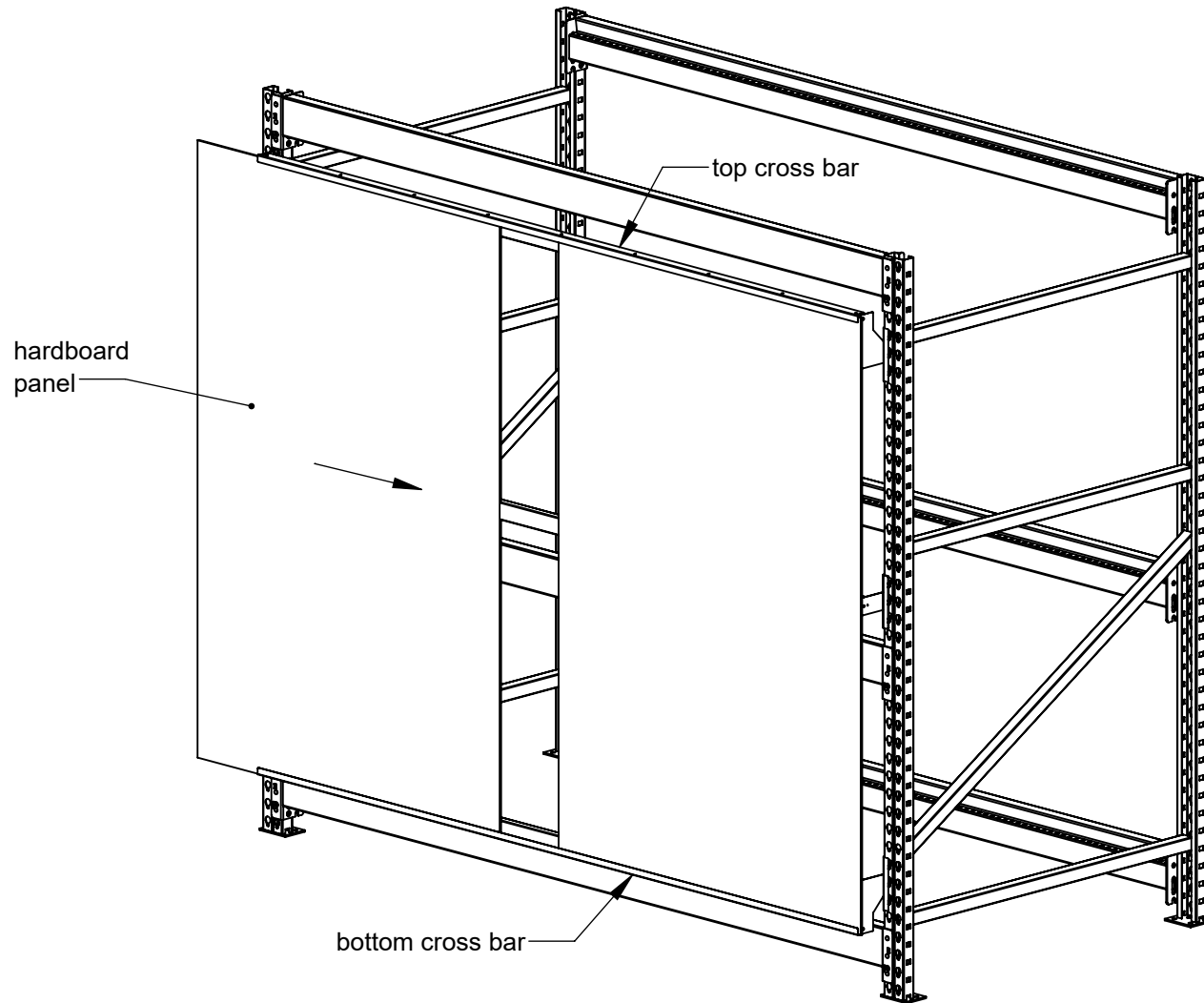
Step 3: Install mid cross bar in available slots approx. mid-way between top and bottom cross bars.

Step 4: Attach snap buttons on the bottom side of all cross bar brackets. Ensure that snap button head is fully seated and locks cross bar to warehouse upright.



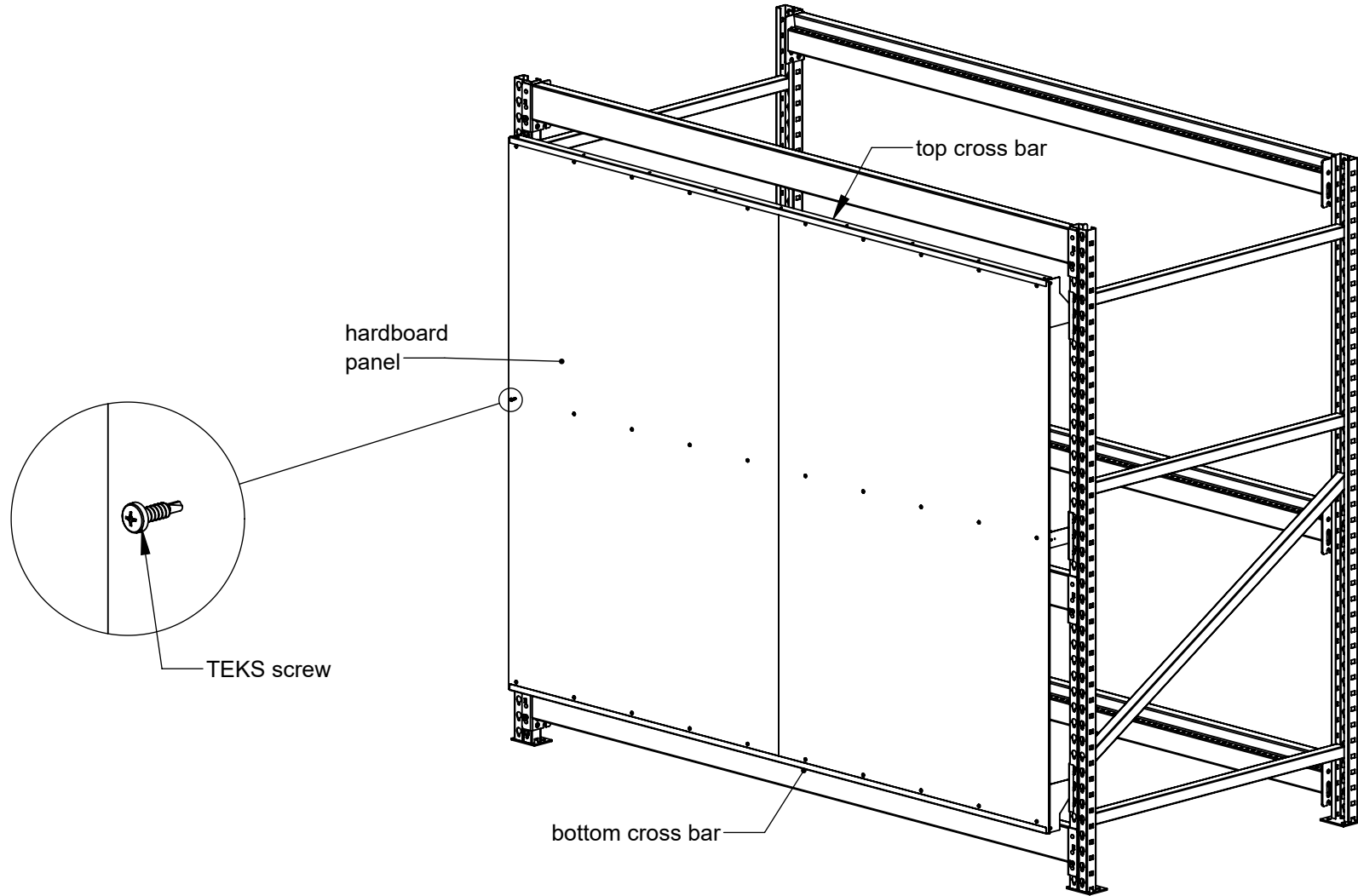
LAD DESCRIPTION		
PALLET RACK REAR BARRIER		
LAD PART NO.	REV.	BY
301305IS	2	RP
DATE	4/4/22	

Step 5: Slide hardboard panels into channel on top and bottom cross bars. Note: 4' wide kits will only use one panel.



LAD DESCRIPTION			
PALLET RACK REAR BARRIER			
LAD PART NO.	REV.	BY	DATE
301305IS	2	RP	4/4/22

Step 6: Secure hardboard panels to each cross bar tube with five TEKS screws.



LAD DESCRIPTION			
PALLET RACK REAR BARRIER			
LAD PART NO.	REV.	BY	DATE
301305IS	2	RP	4/4/22